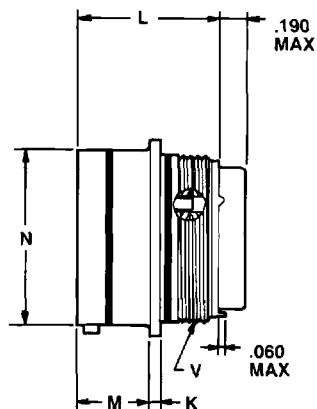
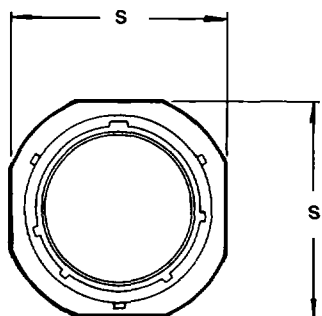


PTS01 DR (MS3471)

cable connecting receptacle



PTS01DRL-XX-XXX
MS3471XX-XXX

Note: This connector style is sometimes referred to as a cable connecting "plug". It does, however, mate with either a straight or 90 degree plug.
To complete part number see how to order on page 12.

Shell Size	Receptacle Front View	Receptacle Side View				
	S +.011 -.010	K +.011 -.010	L Max.	M +.005 -.000	N Dia +.001 -.005	V Thread Class 2A UNEF (Plated)
8	.812	.062	1.156	.453	.473	.5000-20
10	.938	.062	1.156	.453	.590	.6250-24
12	1.031	.062	1.156	.453	.750	.7500-20
14	1.125	.062	1.156	.453	.875	.8750-20
16	1.219	.062	1.156	.453	1.000	1.0000-20
18	1.312	.062	1.156	.453	1.125	1.0625-18
20	1.438	.094	1.219	.556	1.250	1.1875-18
22	1.562	.094	1.219	.556	1.375	1.3125-18
24	1.688	.094	1.219	.589	1.500	1.4375-18

All dimensions for reference only.